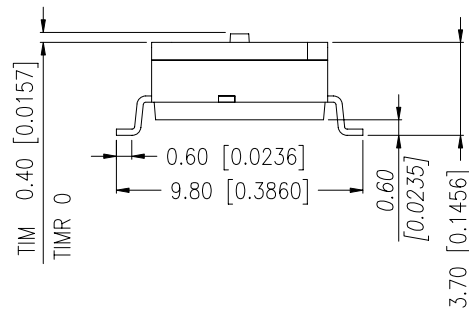
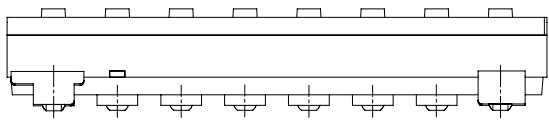
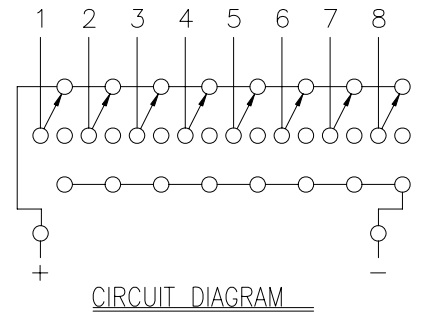
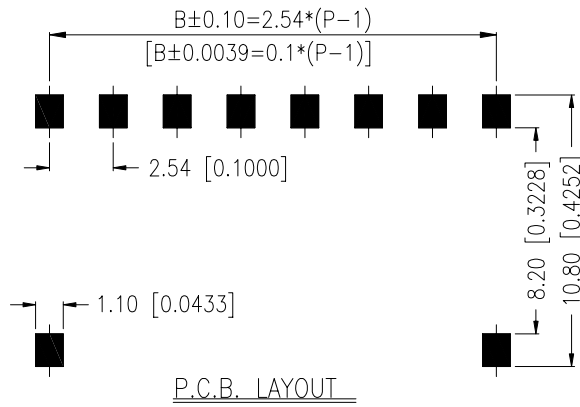
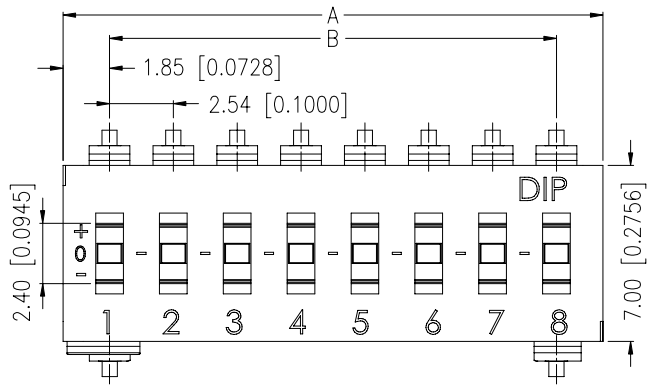


TII(R) & TIM(R) SERIES

**DIMENSIONS**

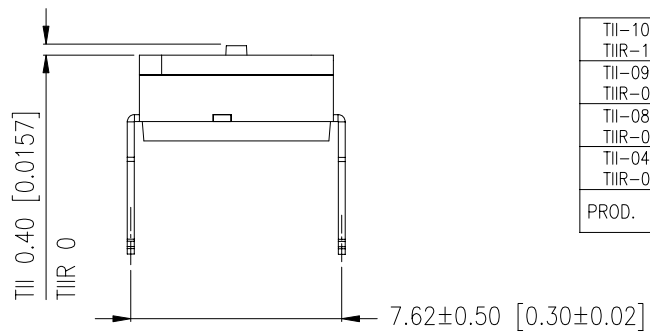
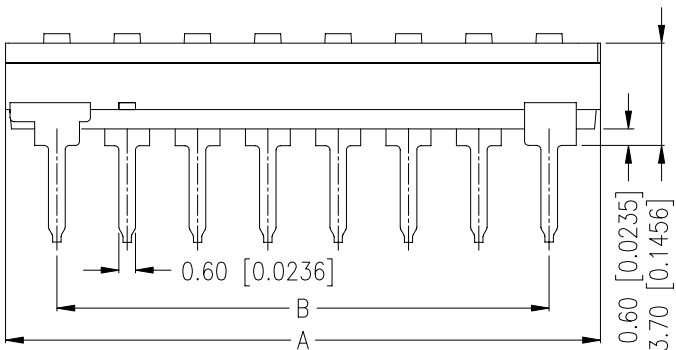
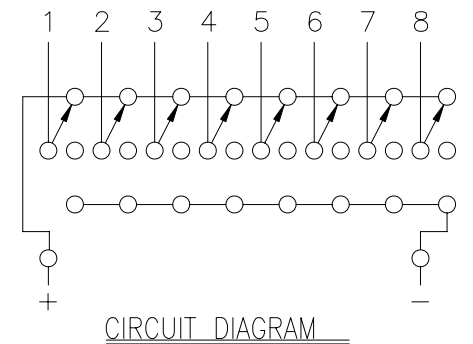
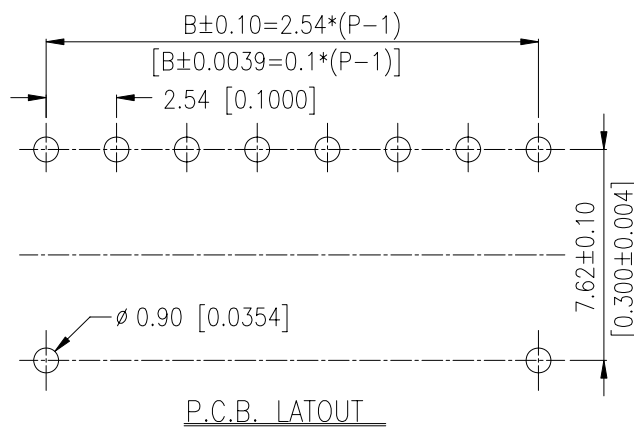
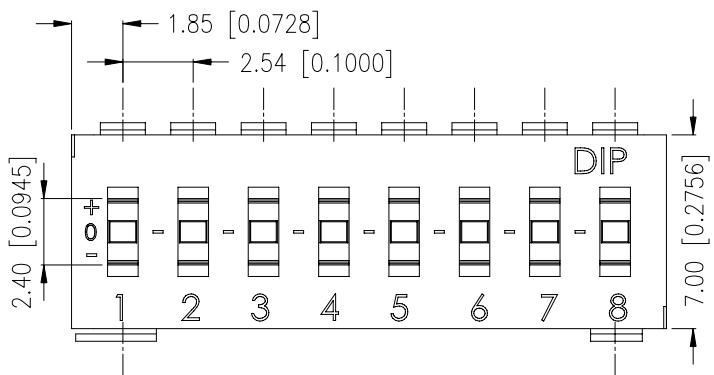
**TIM(R)**



TIM-10	10	26.56[1.046]	22.86[.900]
TIMR-10	10	26.56[1.046]	22.86[.900]
TIM-09	9	24.02[.946]	20.32[.800]
TIMR-09	9	24.02[.946]	20.32[.800]
TIM-08	8	21.48[.846]	17.78[.700]
TIMR-08	8	21.48[.846]	17.78[.700]
TIM-04	4	11.32[.446]	7.62[.300]
TIMR-04	4	11.32[.446]	7.62[.300]
PROD. NO.	NO. OF POS.	DIM. A	DIM. B

General Tolerance : ±0.2mm

**TII(R)**



TII-10	10	26.56[1.046]	22.86[.900]
TIIR-10	10	26.56[1.046]	22.86[.900]
TII-09	9	24.02[.946]	20.32[.800]
TIIR-09	9	24.02[.946]	20.32[.800]
TII-08	8	21.48[.846]	17.78[.700]
TIIR-08	8	21.48[.846]	17.78[.700]
TII-04	4	11.32[.446]	7.62[.300]
TIIR-04	4	11.32[.446]	7.62[.300]
PROD. NO.	NO. OF POS.	DIM. A	DIM. B

General Tolerance : ±0.2mm

## HOW TO ORDER

TI □ □ - □ □ - □ - V - □

Package Style

□ = Tube

T/R= Tape & Reel

Soldering :

V =Lead Free Solderable

Seal :

□ = Without Top Tape

T = Top Tape Sealed

(For recessed actuator only)

Number Of Positions :

04,08,09,10 Positions.

Actuator Type :

□ = Raised Actuator

R = Recessed Actuator

Terminal Type :

M = S.M.T Type

I = Through Hole Type

Tri-Sate IC Type

## SPECIFICATION

### △MECHANICAL

Mechanical Life: 2,000 operations.

Operation Force: 1,000gf max.

Stroke: 0.8 mm

Operation Temp: -20°C to +85°C

Storage Temperature: -40°C to +85°C

### △ELECTRICAL

Electrical Life: 2,000 cycles.

Rating: 25 mA,24 VDC.

Contact resistance: 100mΩ max.

Dielectric Strength: 500VAC/1 minute.

Circuit: 3 switching positions.

## SOLDERING PROCESSES

For best results, please follow these recommendation :

△ WAVE SOLDERING : Recommended solder temperature at 500°F(260°C) max. 5 seconds for through hole type.

△ HAND SOLDERING : Use a soldering iron of 30 watts, controlled at 350°C approximately max 5 seconds while applying.

△ REFLOW SOLDERING : When applying reflow soldering, the peak temperature or the reflow oven should be set at 260°C max.

△ Do not wash the switch body except top tape sealed type, which suitable for spray cleaning method from top of the s/w.

△ Any flux enters the switch may fail the conductivity.

△ Reflow Temperature Profile :

## MATERIAL

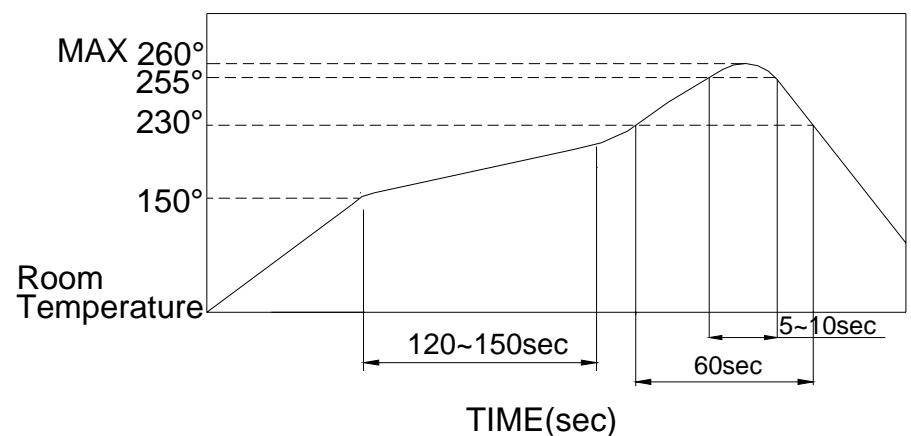
△BASE & COVER: UL94V-0 Nylon High-Temp Thermoplastic. Color: Black.

△ACTUATOR: UL94V-0 LCP High-Temp Thermoplastic. Color: White.

△CONTACT: Alloy Copper with gold plated.

△TERMINAL: Brass with gold plated.

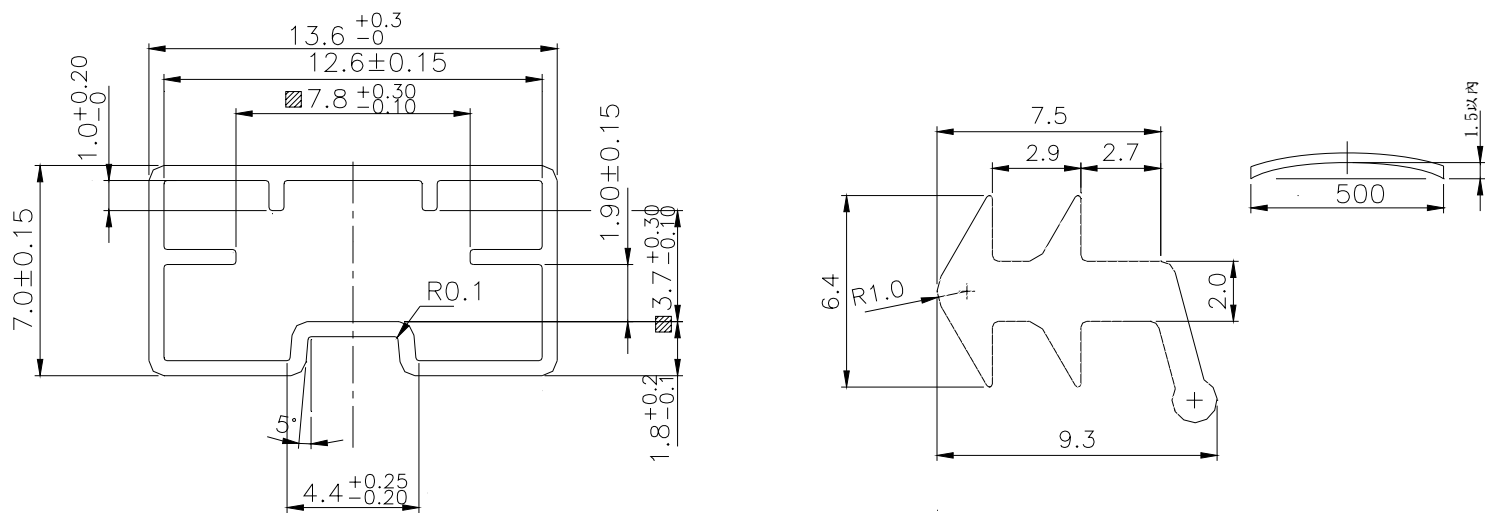
△TAPE: KAPTON.



# PACKING

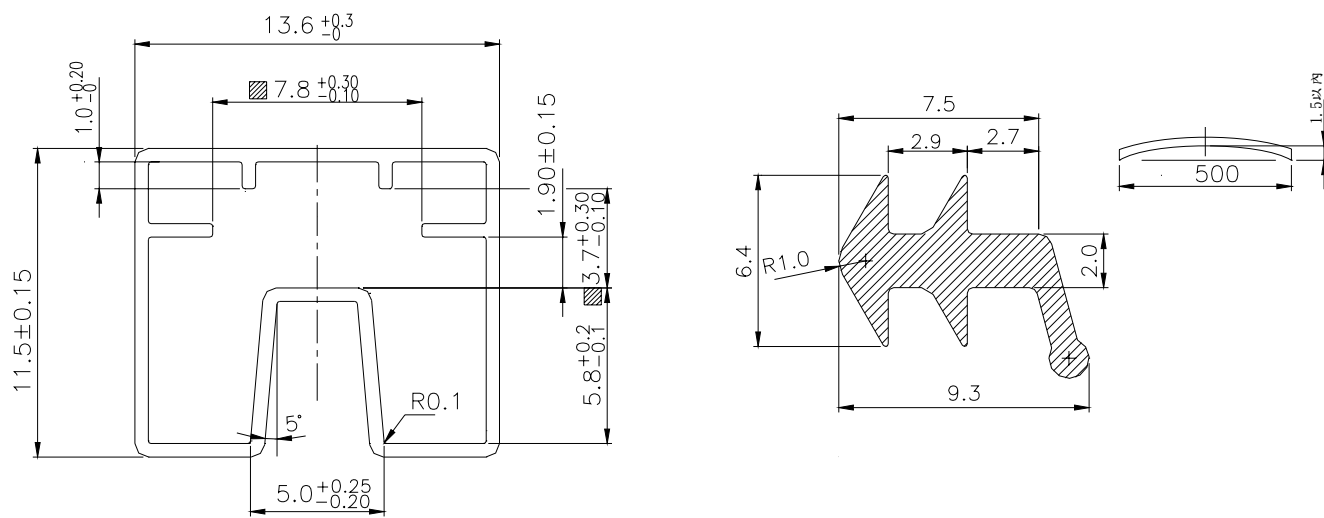
PART NUMBER	Number Per Tube	Number Per Reel
TII(R)-04	41	-
TIM(R)-04		
TII(R)-08	22	-
TIM(R)-08		
TII(R)-09	20	-
TIM(R)-09		
TII(R)-10	18	-
TIM(R)-10		
TII(R)-04.08 09.10	-	900
TIM(R)-04.08 09.10		

## TIM(R) TUBE



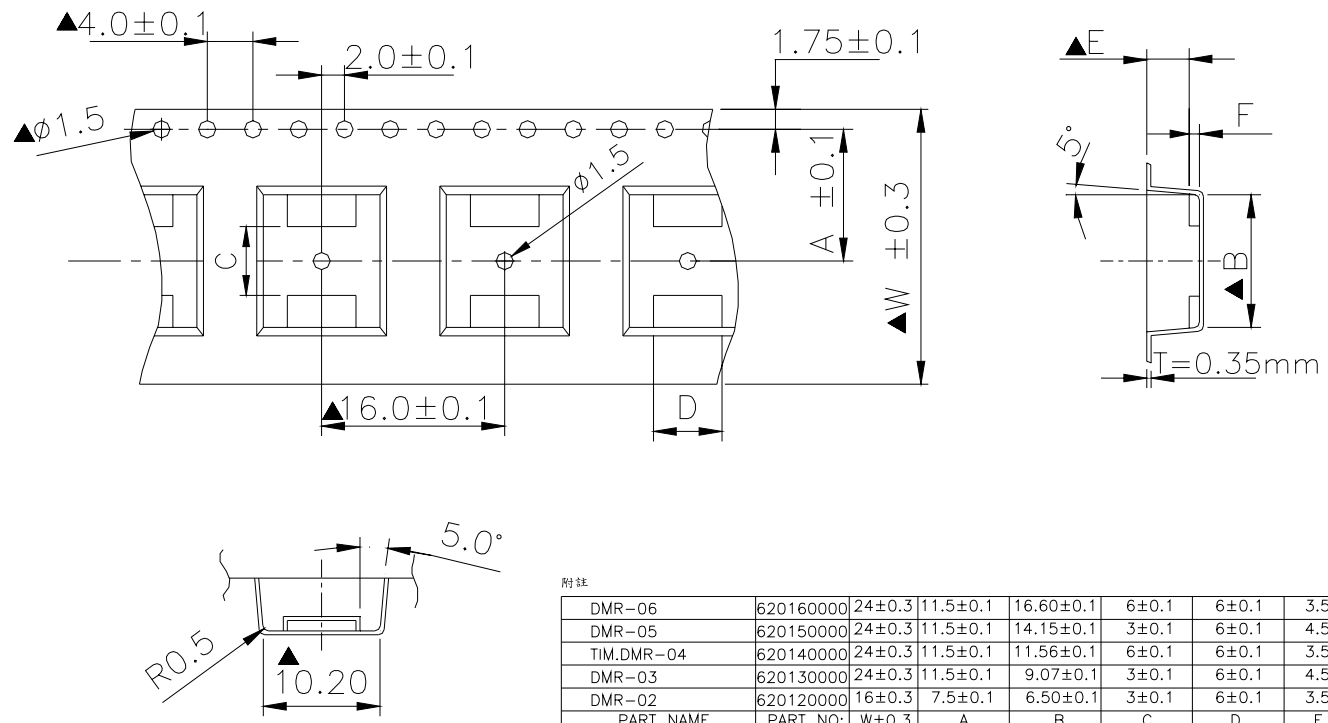
General Tolerance :  $\pm 0.2\text{mm}$

## TII(R) TUBE



General Tolerance :  $\pm 0.2\text{mm}$

**TIM(R)-04 REEL**

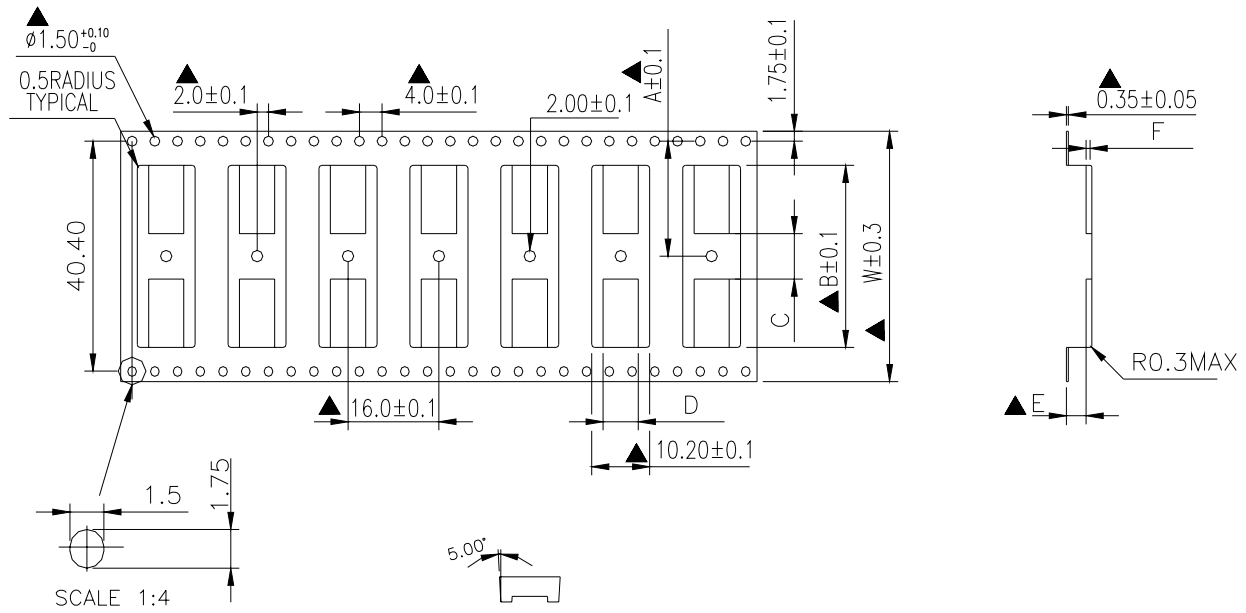


附註

DMR-06	620160000	24±0.3	11.5±0.1	16.60±0.1	6±0.1	6±0.1	3.5	0.9
DMR-05	620150000	24±0.3	11.5±0.1	14.15±0.1	3±0.1	6±0.1	4.5	0.4
TIM.DMR-04	620140000	24±0.3	11.5±0.1	11.56±0.1	6±0.1	6±0.1	3.5	0.9
DMR-03	620130000	24±0.3	11.5±0.1	9.07±0.1	3±0.1	6±0.1	4.5	0.4
DMR-02	620120000	16±0.3	7.5±0.1	6.50±0.1	3±0.1	6±0.1	3.5	0.9
PART NAME	PART NO.	W±0.3	A	B	C	D	E	F

**General Tolerance : ±0.1mm**

**TIM(R)-08.09.10 REEL**



附註

DMR-12	6201C0000	44.00	20.20	32.00	8.00	6.20	3.45	1.0
TIM.DMR-10	6201A0000	44.00	20.20	26.80	5.00	6.00	4.5	0.4
TIM.DMR-09	620190000	44.00	20.20	24.26	5.00	6.00	4.5	0.4
TIM.DMR-08	620180000	32.00	14.20	21.70	6.00	6.00	3.5	0.9
DMR-07	620170000	32.00	14.20	19.20	5.00	6.00	4.5	0.4
PART NAME	PART NO.	W±0.3	A	B	C	D	E	F

**General Tolerance : ±0.1mm**