

## LIGHT ENGINE VIOLET UVC 281mm x 19.2mm 560mW + Red Alert Light

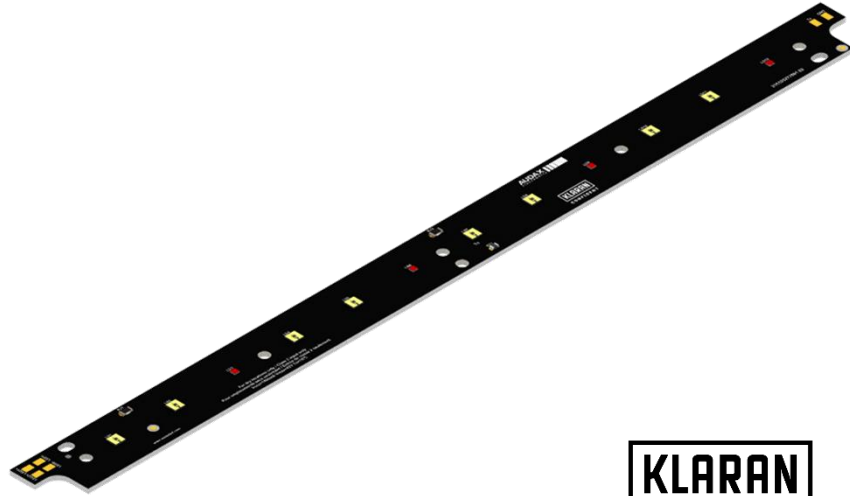
Issue Date	August, 2021
Issued by	Malassise, V.

### Applications

- Medical sterilization
- Drinking water disinfection
- Infectious disease control
- Food processing sterilization
- Air sterilization

### Characteristics

- UV Type - UVC
- Wavelength – 260-270nm
- Efficacy - up to 1.8%
- 05 years warranty



### DRIVING CURRENTS

Parameter	Nominal	Max
LIGHT ENGINE VIOLET UVC 281mm x 19.2mm 642mW	1,000 mA	1,200 mA

### MODULE TEMPERATURES

Parameter	Nominal	Max
Tc (temperature at Tc point)	40 °C	60 °C

### PRODUCT PART NUMBER

**80338500100**  
UVC – 260-270 nm

### TECHNICAL INFORMATION

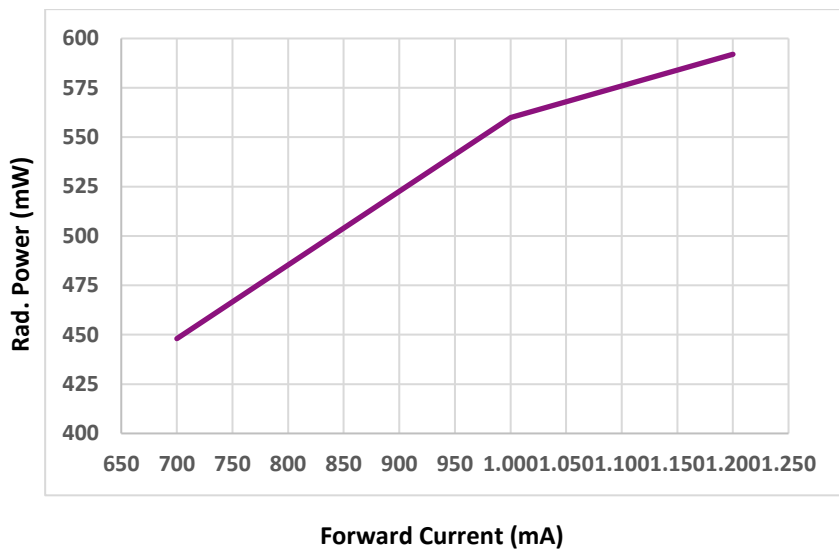
UV Type	Wavelength (nm)	#LEDs	Forward Current (mA)	Rad. Power (mW)	Forward Voltage (V)	Power (W)	Tc (°C)	EFF (%)
UVC	260-270	8 UVC + 4 RED	700	448	36.0	25.2	40	1.8
			1,000	560	38.0	38.0	40	1.5
			1,200	592	45.0	54.0	40	1.1

### LED TYPE

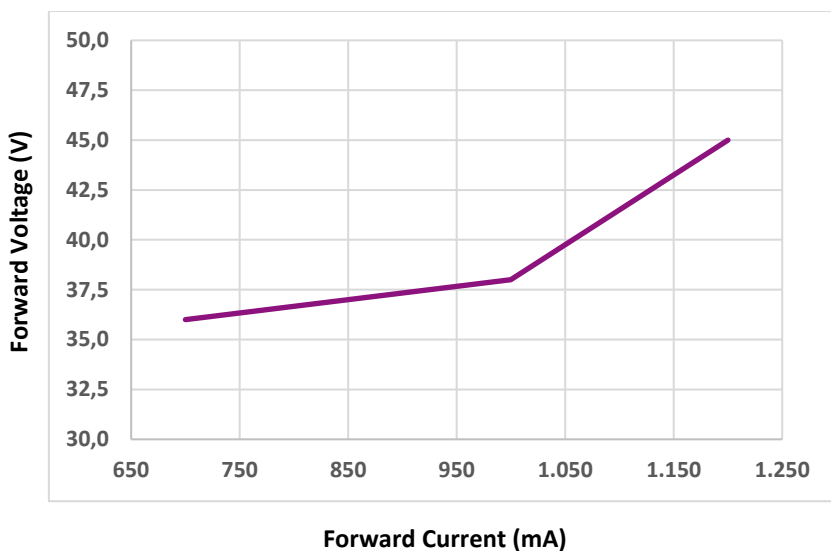
Manufacturer: Crystal IS, Klaran

LED Series: KL265

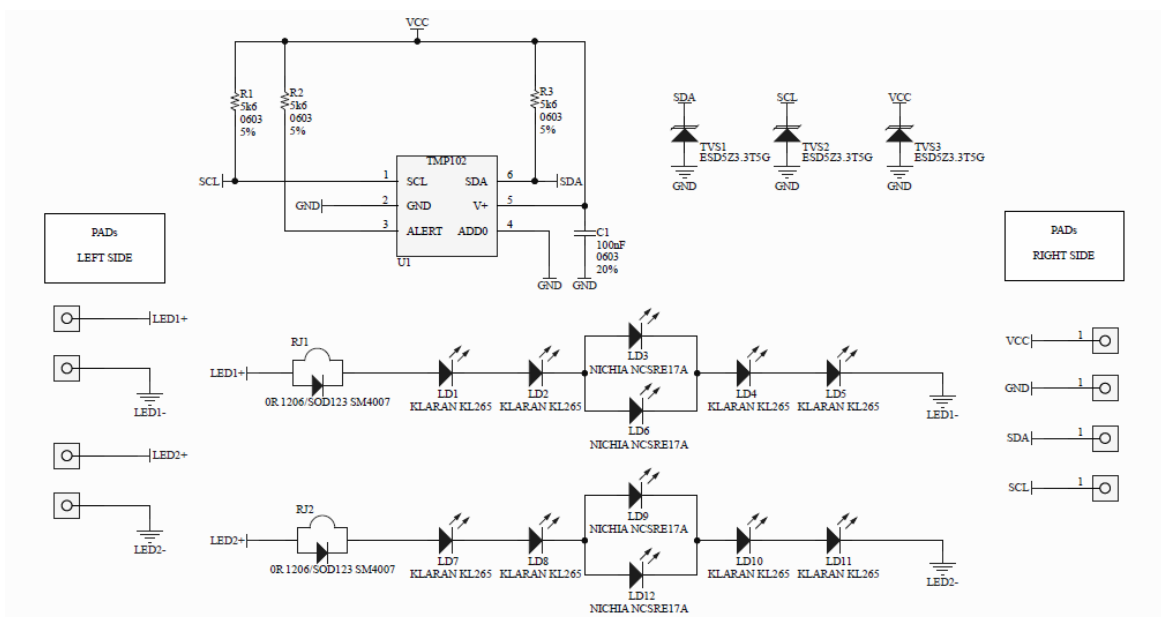
Rad. Power (mW) x Forward Current (mA) (Tj 75°C)



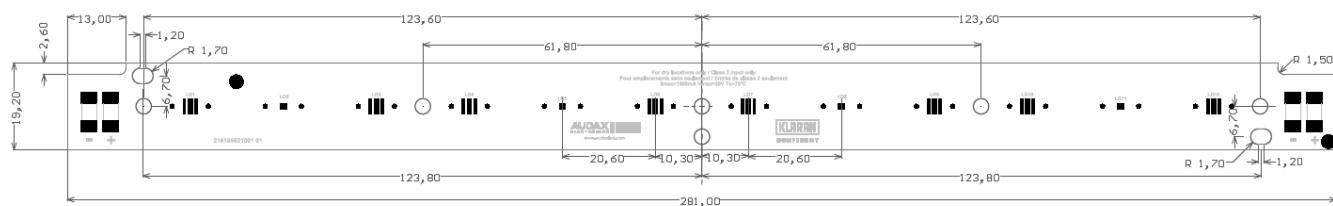
Forward Voltage (V) x Forward Current (mA) (Tj 75°C)



SCHEMATICS



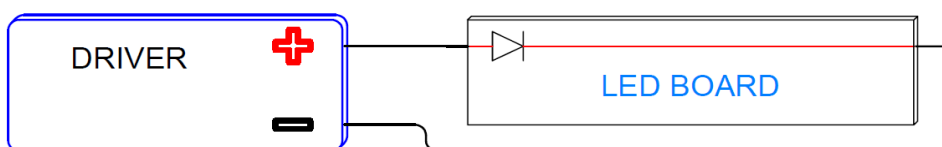
## MECHANICAL DRAWING



## WIRING

Unit: mm

Specification item	Value	Unit	Condition
Input wire cross- section	0.25...0.75 18...24	mm <sup>2</sup> AWG	Solid wire
Input wire strip length	7.5...8.5	mm	Solid wire
Input wire cross-section	0.33...0.5 20...22	mm <sup>2</sup> AWG	Stranded wire
Input wire strip length	7.5...8.5	mm	Stranded wire



## COMPATIBLE OPTICS

Manufacturer	Part Number	Color	Beam
LEDiL	FN17294_VIOLET-12X1-S	Clear	~20°



