

# VECO VANSONIC ENTERPRISE CO., LTD.

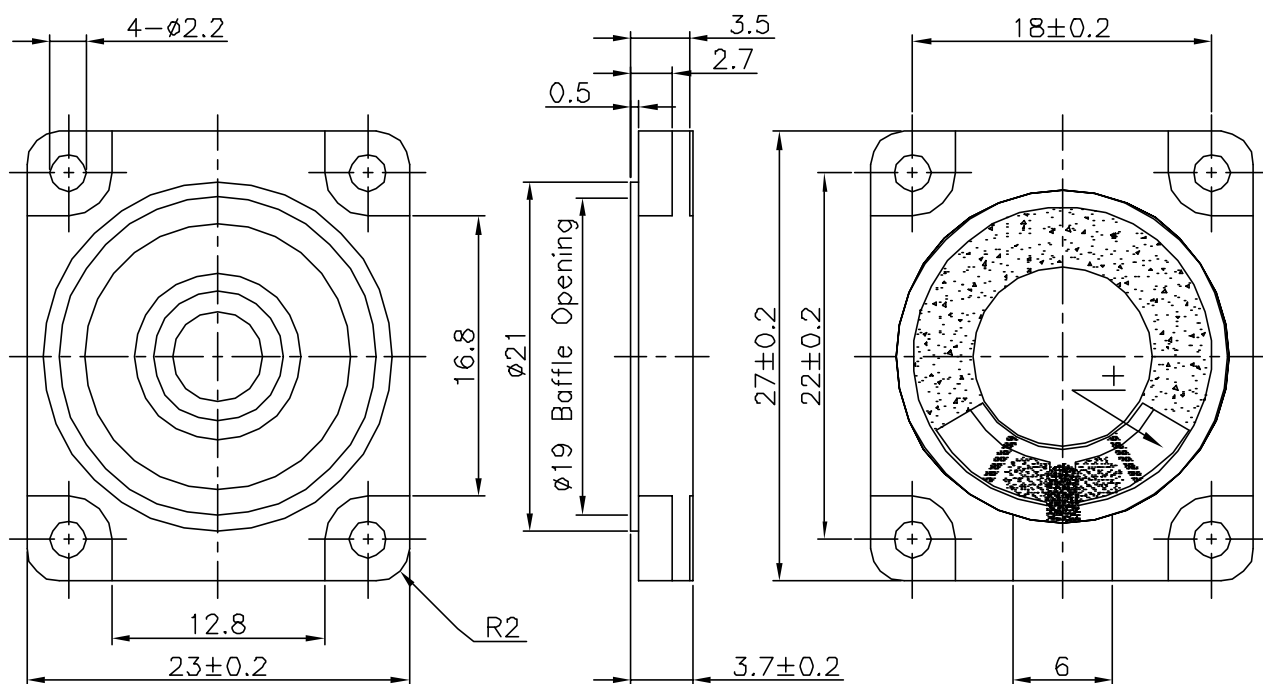
8F., No.7, Lane 16, Sec.2, Szechwan Road, Panchiao, Taipei Hsien, TAIWAN.

TEL: +886-2-29626335

FAX: +886-2-29625220

E-MAIL: vansonic@ms4.hinet.net

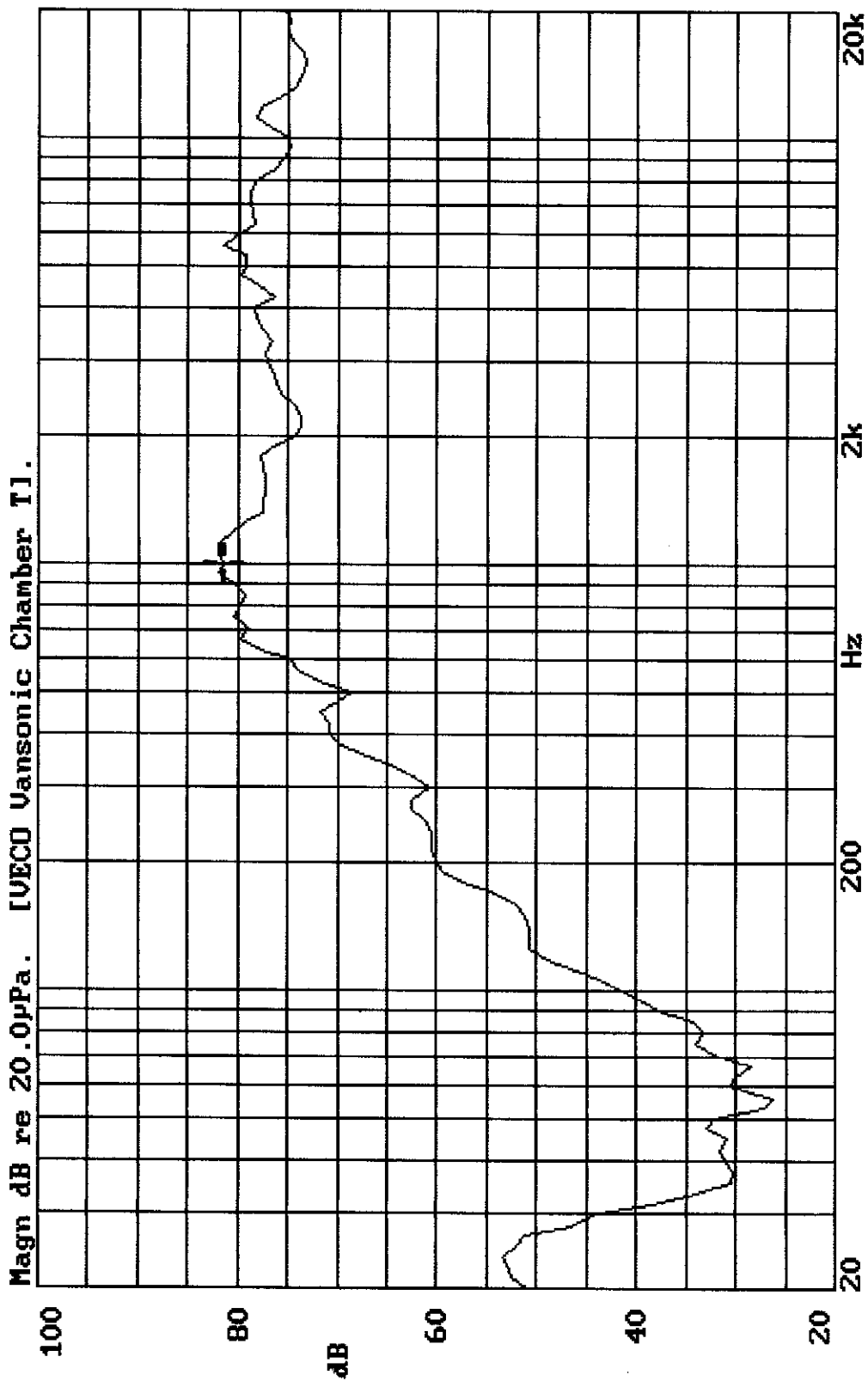
1.	<b>MODEL:</b>	<b>27CS08FK-6</b> -M38ND(Black Mylar)-M38NT(Clear Mylar)			
2.	Dimension	Outer Diameter	<b>23X27</b> mm.	Baffle Opening	<b>19</b> mm.
		Height	<b>Refer to Drawing</b> .	Weight	<b>2.8</b> Grams.
3.	Magnet	Materials	<b>Rare Earth</b> .	Size	<b>ø8.0x1.0</b> mm.
4.	Nominal Impedance	<b>8</b>	± <b>15</b> %	At	<b>1500</b> Hz.
5.	Power Rating	Normal	<b>500</b> mW.	Maximum	<b>1000</b> mW.
6.	Lowest Resonant Frequency	<b>650</b>	± <b>20</b> %		Hz.
7.	Output Sound Pressure Level (S.P.L.)	<b>78</b> ± <b>3</b> db / 0.5 Watt . 0.5 Meter.			
		Average at	<b>800</b> , <b>1000</b> , <b>1200</b> , <b>1500</b>		Hz.
8.	Frequency Range	<b>400</b>	~ <b>20000</b> Hz.	Average S P L -	<b>10</b> db.
9.	Distortion	<b>5</b> %	Maximum At	<b>1000</b> Hz.	<b>500</b> mW.
10.	Abnormal Sound Test	Must Be Normal Test By <b>2.0</b> Volts. Sine Wave.			
11.	Load Test	White Noise With Weighted Filter <b>2.0</b> Volts.(RMS) <b>24</b> Hrs.			
12.	Polarity	Diaphragm shall move Forward when Apply a Positive DC.			
		Current to the "+" or "Marked" Terminal.			



Unit : mm

Housing Material : METAL

27CS08FK-6-M38ND VOL:2.0V(0.5W) DIS:0.5M VANSONIC  
X:1.0000kHz \*Y:81.59dB ZA:Live Curve SSR Fund.

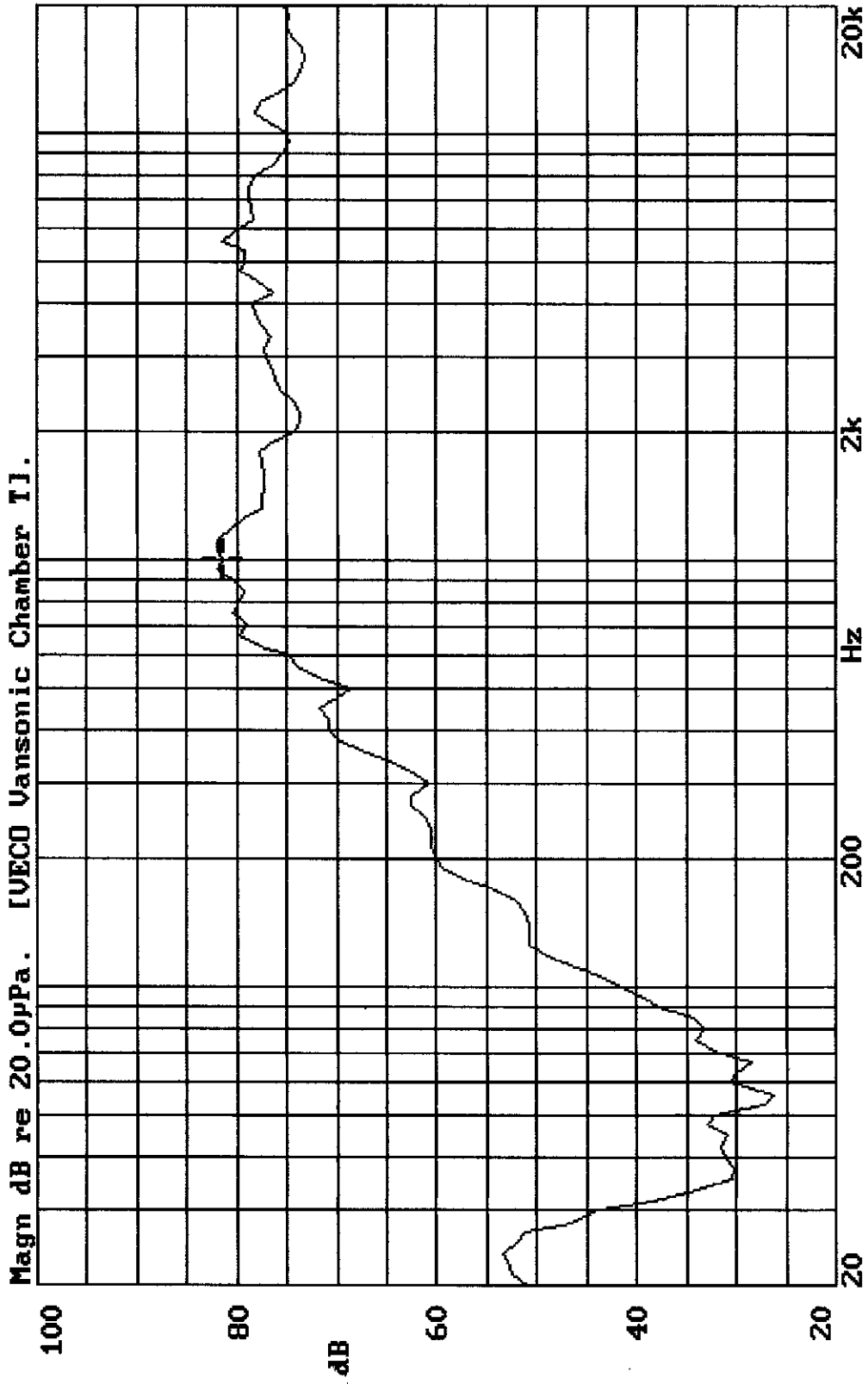


08-OCT-2001 15:41:29

Mode: SSR



27CS08FK-6-M38ND VDL:2.0V(0.5W) DIS:0.5M VANSONIC  
X:1.0000kHz \*Y:81.59dB ZA:Live Curve SSR Fund.



08-OCT-2001 15:41:29

Mode: SSR

