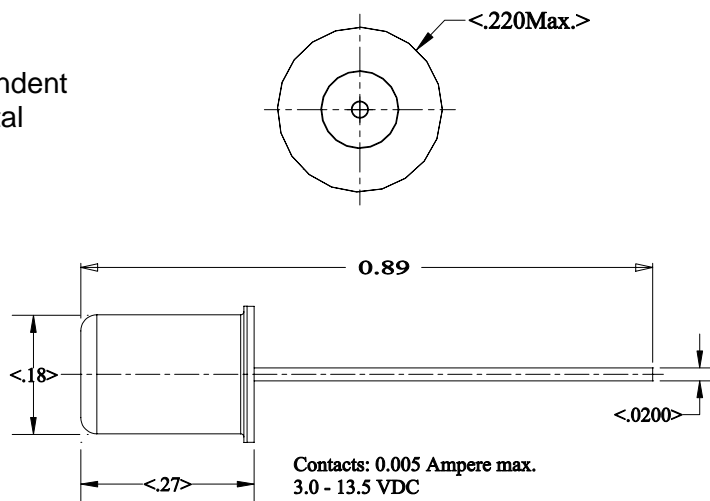


Part No: 20855 – T018 Series Tilt Switch – Non Mercury



- Features:**
- * RoHS Compliant
 - * Un-Insulated
 - * Form: NO/NC/SPST/Mount dependent
 - * Angles Referenced from Horizontal
 - * Single Electrode
 - * Hermetically Sealed
 - * Small Package Size
 - * Narrow Included Angle
 - * Long Life



Contacts: 0.005 Ampere max.
3.0 - 13.5 VDC
Maximum make angle : 5
degrees electrode down
Contacts: Gold , Seal and Ball

Drawing dimensions in inches.

Tilt switches “make” when the electrode is tilted below horizontal and “break” when tilted above the horizontal. Total travel from “make” to “break” is the “Maximum included angle” shown below. The component to which the switch is attached must have a total tilt angle greater than the “Maximum included angle” for proper operation.

Must Make* :	-5°
Maximum included Angle:	10°
	* Make/break angles are electrode + (above) / - (below) 0° horizontal reference
Switch Ratings:	
Min / Max Switching Voltage:	3.0 / 13.5 VDC
Max Switching Current:	5 mA
Initial Contact Resistance (Max):	5 Ohms @ 1mA, 12 VDC
Stand Off Voltage (contact to contact):	1 kV
Operating Temperature:	-38° to 220° F / -38° to 105° C
Storage Temperature:	-40° to 356° F / -40° to 180° C
Typical number of operations at specified load:	10,000,000
G-Force Activation G-Level/Range:	N/A
Dimensions:	
Weight per 100pcs. Lbs / Kgs:	0.13 / 0.06
Body Length (less leads). Inches / Millimeters:	0.270 / 6.86
Maximum Diameter. Inches / Millimeters:	0.220 / 5.59
Materials:	
Lead Wire Type:	N/A
Lead wire length/skive/termination:	N/A
Finish:	Gold Electrode / Nickel Body



© American Electronic Components Inc 2006

American Electronic Components Inc.,
1101 Lafayette Street, Elkhart, Indiana. USA
Tel: +1-574-295-6330 Fax: +1-574-293-8013
Email: sales@aecensors.com
<http://www.aecensors.com>